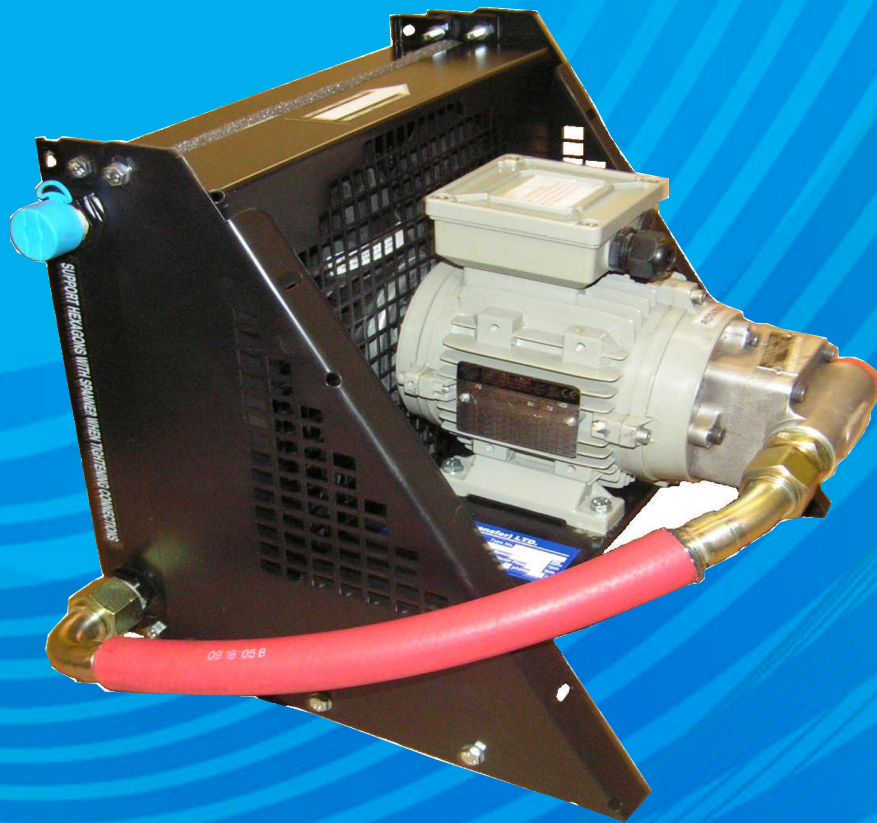
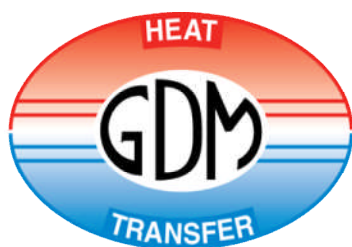




# OFF LINE AIR BLOWN OIL COOLERS



Offline Air Blown Oil Coolers



## G.D.M. (Heat Transfer) Limited

Boston Industrial Estate  
Power Station Road  
RUGELEY  
Staffordshire  
WS15 2HS

Tel: +44 (0)1889 574880  
Fax: +44 (0)1889 575074  
Email: sales@gdmcoolers.co.uk

Website: [www.gdmcoolers.co.uk](http://www.gdmcoolers.co.uk)

Cooler size	Cooling at 100°C ΔT KW	Noise level dBA x 1 MTR	Radiator Ports Sizes	Pump Ports Sizes	Pump Flow Rate (NOM) LPM	Fan Power kW #	Amps At 400 V 3 PH 50 HZ	ENCL IP	Approx KG (dry)
GDPUQ 10	10	55	¾" Bsp	¾" Bsp	25	0.37	1.15	55	17.5
GDPUQ 12	12	56	¾" Bsp	¾" Bsp	25	0.37	1.15	55	17.5
GDPUQ 15	15	58	¾" Bsp	¾" Bsp	25	0.37	1.15	55	17.5
GDPU 19	19	75	¾" Bsp	¾" Bsp	30	0.55	1.38	55	17.5
GDPU 23	23	75	¾" Bsp	¾" Bsp	30	0.55	1.38	55	17.5
GDPU 26	26	79	¾" Bsp	¾" Bsp	30	0.55	1.38	55	17.5
GDPUQ 30	30	65	¾" Bsp	¾" Bsp	25	0.37	1.15	55	33
GDPU 35	35	76	¾" Bsp	¾" Bsp	50	1.1	2.50	55	
GDPU 43	43	81	¾" Bsp	¾" Bsp	50	1.1	2.50	55	
GDPU 51	51	80	¾" Bsp	¾" Bsp	50	1.1	2.50	55	50
GDPU 60	60	76	¾" Bsp	¾" Bsp	135	2.2	4.70	55	
GDPU 75	75	76	1" Bsp	1½" Bsp	135	2.2	4.70	55	
GDPU 81	81	75	1" Bsp	1½" Bsp	135	2.2	4.70	55	
GDPU 90	90	78	1" Bsp	1½" Bsp	135	2.2	4.70	55	
GDPU 99	99	77	1" Bsp	1½" Bsp	135	2.2	4.70	55	
GDPU 120	120	82	1" Bsp	1½" Bsp	135	2.2	4.70	55	
GDPU 147	147	80	2" Bsp	1½" Bsp	135	2.2	4.70	55	
GDPU 161	161	79	2" Bsp	1½" Bsp	135	2.2	4.70	55	
GDPU 177	177	81	2" Bsp	1½" Bsp	135	3.0	7.60	55	
GDPU 188	188	85	2" Bsp	1½" Bsp	135	3.0	7.60	55	
GDPU 204	204	85	2" Bsp	1½" Bsp	135	3.0	7.60	55	
GDPU 236	236	87	2" Bsp	1½" Bsp	180	5.5	11.60	55	
GDPU 274	274	93	2" Bsp	1½" Bsp	180	5.5	11.60	55	
GDPU 300	300	95	2" Bsp	1½" Bsp	180	5.5	11.60	55	

### CAUTION - NOISE DATA

The noise values are given by the fan manufacturers in dBA and apply to 'free field' conditions. In practice different conditions lead to sound reflection reverberation and resonance, dependent on insulation details. The resulting actual noise levels can be in excess of the nominal figure shown.

# Please note: Fan powers and amps are for guidance only:

# Offline Air Blown Oil Coolers



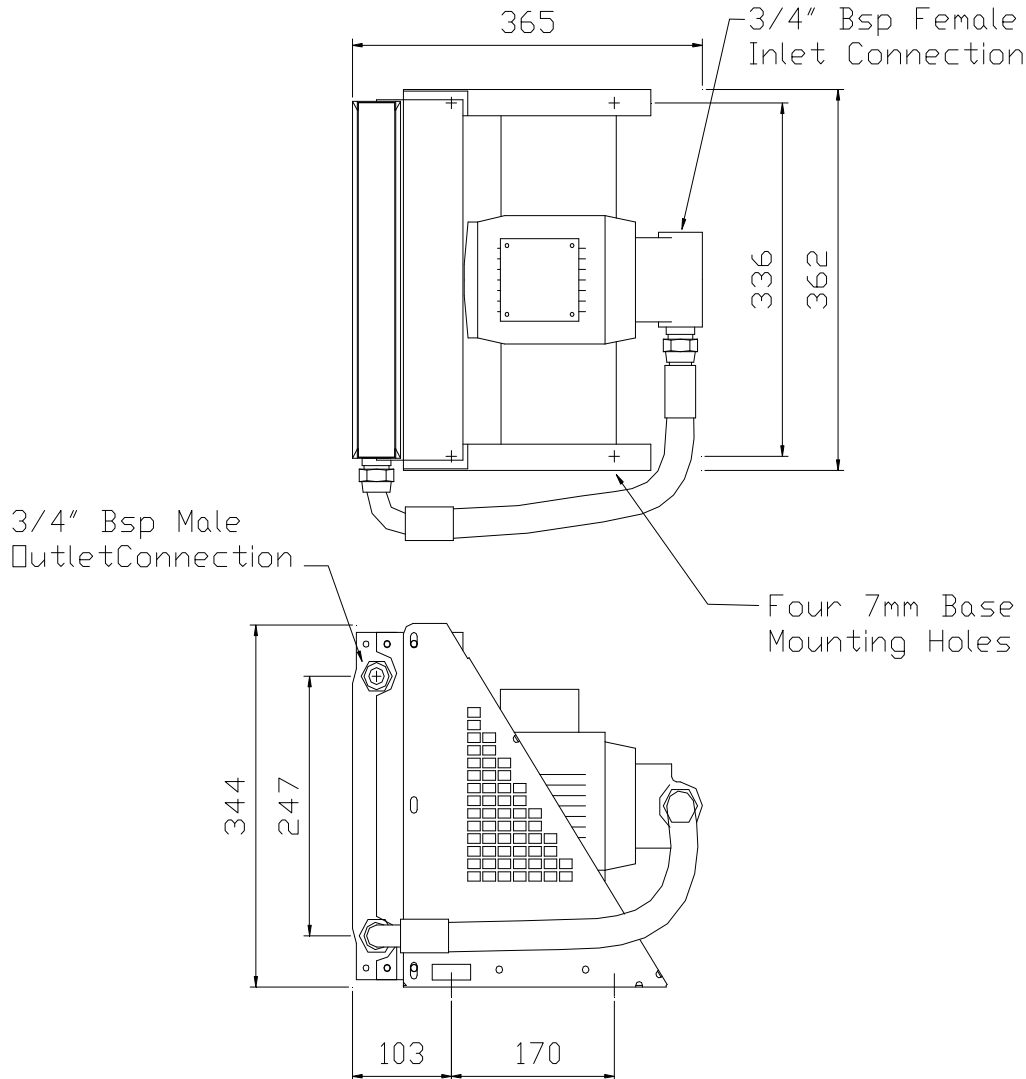
## G.D.M. (Heat Transfer) Limited

Boston Industrial Estate  
Power Station Road  
RUGELEY  
Staffordshire  
WS15 2HS

Tel: +44 (0)1889 574880  
Fax: +44 (0)1889 575074  
Email: sales@gdmcoolers.co.uk

Website: [www.gdmcoolers.co.uk](http://www.gdmcoolers.co.uk)

GDPU 10 to 26



### Note:

All dimensions are in millimetres and are for reference only and drawings should be obtained for installation purposes. Certified Dim, Drgs, are available if required. Terotechnical information sheets are sent with each cooler, or earlier if requested. We reserve the right to change details with out prior notice.

### NOTES ON AIR FLOW

Air flow direction is generally pushing (type "A") from fan, through radiator. Pulling (type "B") versions are available. If critical please consult G.D.M (Heat Transfer) Ltd.

# Offline Air Blown Oil Coolers

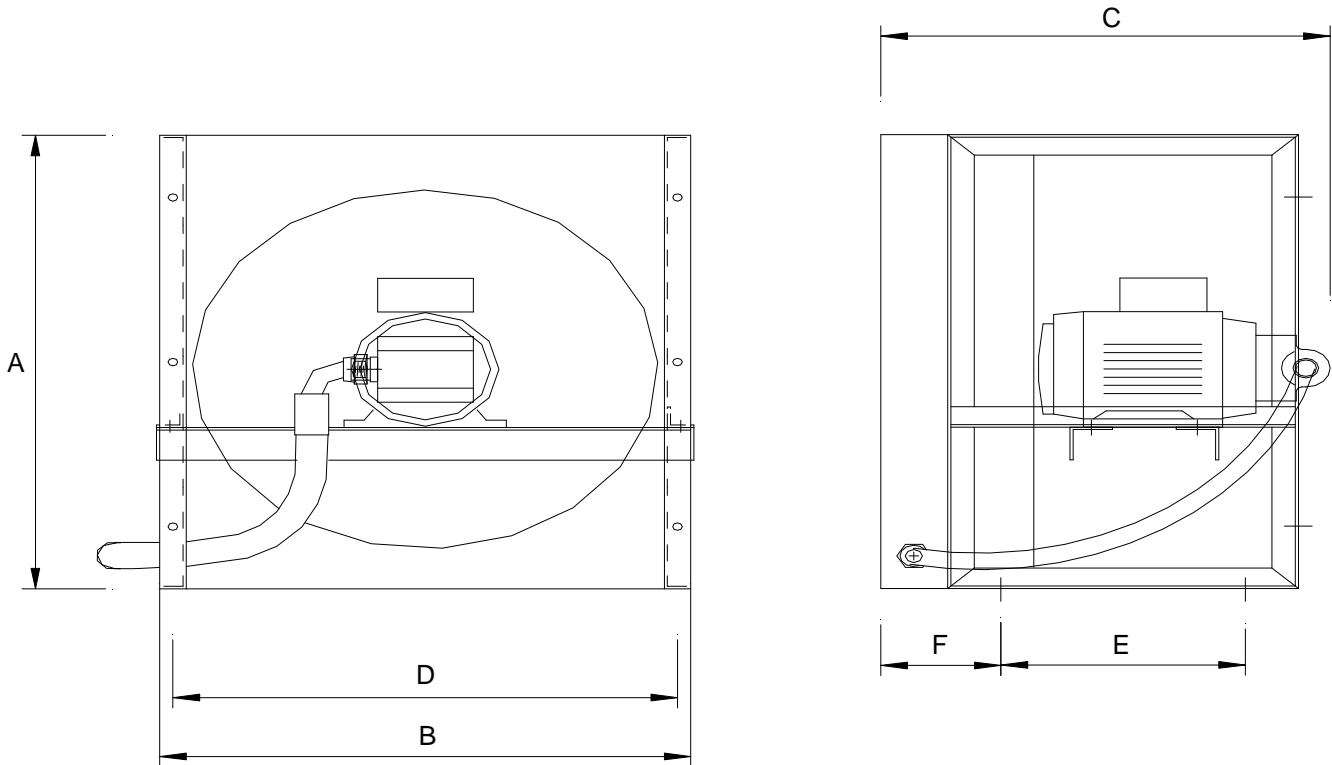


## G.D.M. (Heat Transfer) Limited

Boston Industrial Estate  
Power Station Road  
RUGELEY  
Staffordshire  
WS15 2HS

Tel: +44 (0)1889 574880  
Fax: +44 (0)1889 575074  
Email: sales@gdmcoolers.co.uk

Website: [www.gdmcoolers.co.uk](http://www.gdmcoolers.co.uk)



Cooler size	A	B	C	D	E	F
GDPQU 30	554	500	400	475	230	113
GDPE 35	504	443	423	418	230	113
GDPU 43	504	443	423	418	230	113
GDPU 51	554	500	423	475	230	113
GDPU 60	652	521	640	481	330	113
GDPU 75	747	534	671	494	330	144
GDPU 81	747	619	671	579	330	144
GDPU 90	747	619	671	579	330	144
GDPU 99	747	719	671	679	330	144

Cooler size	A	B	C	D	E	F
GDPU 120	747	719	671	679	330	144
GDPU 147	850	809	671	769	330	144
GDPU 161	950	920	671	880	330	144
GDPU 177	1150	1085	709	1045	430	144
GDPU 188	1050	1022	748	982	450	144
GDPU 204	1150	1085	748	1045	450	144
GDPU 236	1150	1085	709	1045	430	144
GDPU 274	1150	1085	748	1045	450	144
GDPU 300	1150	1085	783	1045	500	144

### Note:

All dimensions are in millimetres and are for reference only and drawings should be obtained for installation purposes. Certified Dim, Drgs, are available if required. Terotechnical information sheets are sent with each cooler, or earlier if requested. We reserve the right to change details with out prior notice.

### NOTES ON AIR FLOW

Air flow direction is generally pushing (type "A") from fan, through radiator. Pulling (type "B") versions are available. If critical please consult G.D.M (Heat Transfer) Ltd.

# Offline Air Blown Oil Coolers